



Oracode 660 Series Specification Sheet



Application

- Suitable for facilities from one to 15,000 rooms
- Ideal for property management, apartments, condos, corporate suites, and time-share resorts
- Replaces existing cylindrical or mortise locks
- Interior or exterior applications



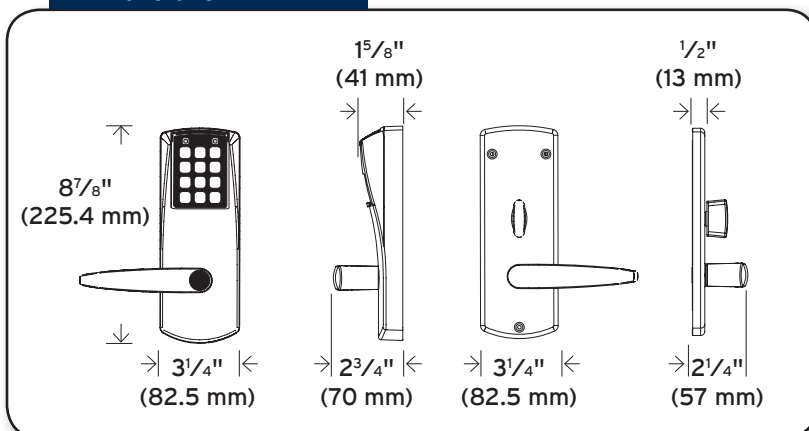
System Benefits

- Time- and date-sensitive codes grant access
- Simplifies or eliminates the check-in process, and permits after-hours check-in without staff assistance
- Increases security immediately and economically
- Installs in minutes
- No keys, cards, or wiring required
- Access codes are easily assigned
- Guests find the system easy to use
- Codes can be generated on- or off-site
- Codes can be transmitted by phone, fax, or email
- Integrates into existing PMS systems

Security Features

- Up to one million possible combinations
- Vandalism- and attack-resistant
- Tamper-shutdown protection
- Audit trail of lock access and web-based software use
- Emergency access by mechanical key override
- 1" solid metal deadbolt (mortise model)
- Features Bump Halt - bump-resistant technology that resists the transfer of force from the bump key to the pins

Dimensions



Low Maintenance

- Access codes, lock set-up, and audit trail are not erased during battery replacement
- Wear-resistant construction and finish

Mechanical Features

Description:	Heavy-duty electronic lockset, cylindrical or mortise, with clutch mechanism activated by numeric combination
Handing:	Left- or right-factory handed, field-reversible
Door Preparation:	Door preparation drawing and drilling template provided
Guest Privacy:	Interior thumb-turn or mortise version (optional)
Numeric Keypad:	Vandal-resistant, 12-button, metal keys
Weight:	8 lbs (3.6 kg)
Lever Type:	Short and long levers available
Mechanical Key Override:	In-handle; removable core type KIL, C-keyway
Door Thickness:	From 1-3/8" to 2-1/2" (35 mm to 64 mm)
Standard Finishes:	Satin Chrome (626), Satin Brass (606), Satin Chrome Supreme (827—salt-water application)

Electrical Features

Batteries:	3 x AA (alkaline-type only) 120,000 entries
Low Battery Indicator:	Last 2,000 openings

Lock Operation

Combination Codes:	6+ digits per code
Programming:	Using the handheld infrared (IR) device
Feedback:	"Dual sensory" audible and visual indicators
Security Levels:	128+ levels
Tamper Lockout:	40-second timed lockout after four invalid entry attempts
Emergency Access:	Mechanical key override
Passage Mode:	Set or remove with proper code
Lockout:	Set or remove with proper code
Unlock Time:	Adjustable from 5 to 15 seconds by administrator level
Audit Trail:	Up to the last 1,000 entries showing date, time, user, and code
Personalized Code:	Programmable
One-time Code:	Code will unlock door once
660C:	Common door lock for public areas available

Certification and Testing

Accessibility Standard:	Americans with Disabilities Act (ADA-compliant)
Fire Rating:	Meets UL 10C on fire-rated doors up to and including three hours. UL fire-rated latch
Environmental	
Operating Conditions:	Outside and inside housing: -31°F to 151°F (-35°C to 66°C)
Electronics:	FCC Part 15 Class B and CE directive 89/336/EEC-compliant
Durability:	Meets requirements of ANSI A156.25 for dust, rain, humidity, and salt spray corrosion tests

Kaba Ilco Inc.
7301 Boul. Décarie
Montréal (QC) H4P 2G7
T.: 1.877.468.3555
F.: 1.514.735.6589

www.ilcolodging.com
M3399_05_09_ac

